



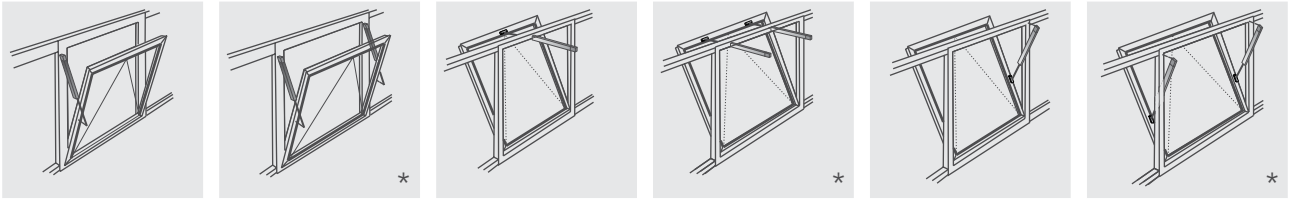
### SPECIAL FEATURES SP

- For natural ventilation, smoke and heat exhausting systems
- Robust corrosion-resistant design
- Aluminium housing anodized finish or optionally in RAL colors - with plastic end caps
- Easy installation due to lateral dovetail guidance
- Phosphated steel spindle, aluminium spindle tube anodised finish, damped end positions
- Available in 24V DC and 230V AC
- Limit switch to protect against overload

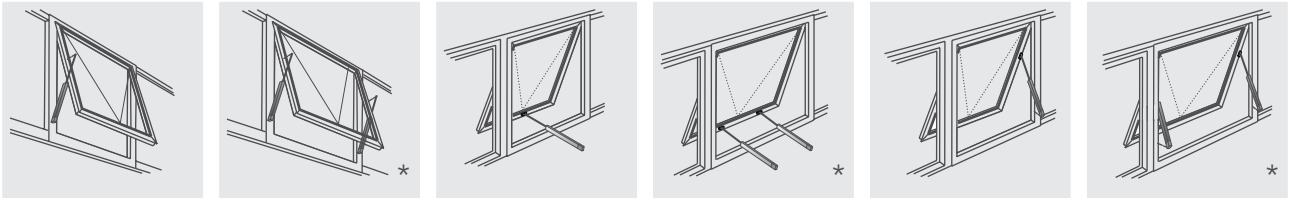
For this product series, a Type III Environmental Product Declaration (EPD) was issued according to ISO 14025 and EN 15804. The LCA results of the different product types are listed at the end of this product catalogue. The EPD documents can be viewed or downloaded from our homepage [www.aumueller-gmbh.de](http://www.aumueller-gmbh.de).

**FACADE**

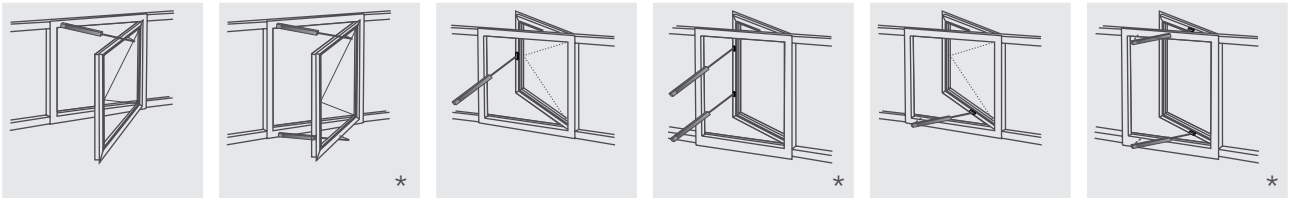
Bottom-hung



Top-hung

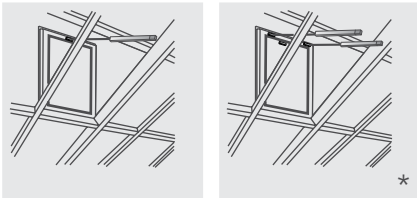


Side-hung

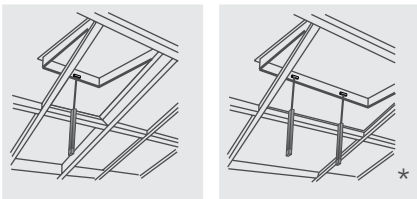


**ROOF**

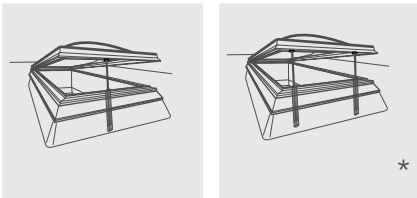
Bottom-hung



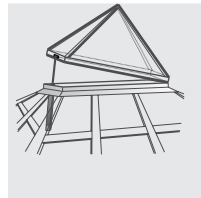
Top-hung



Skylight



Glass pyramid

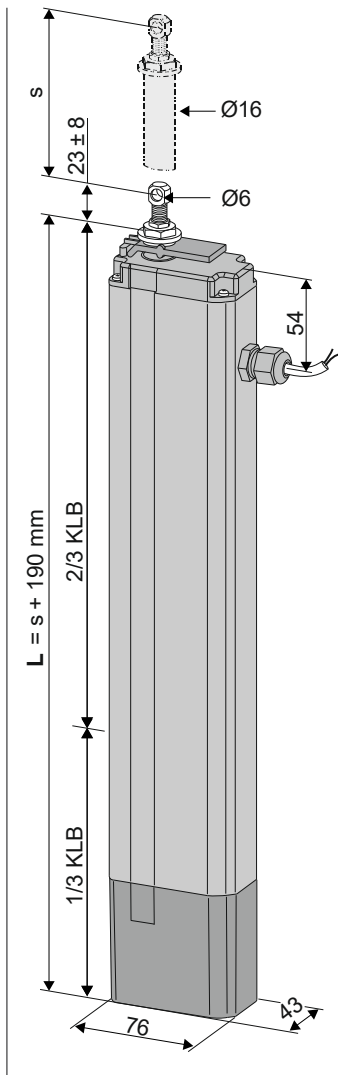


\* Monitored motion run up to  $s = 300$  mm with USKM (Controll modul Part.-No.: 512140)

- Application: natural ventilation and RWA
- Cut-off via limit switch
- „Z“-Version: Potential free NC contact for closed end position feedback (max. 24 V, 500 mA)
- Preferably application for skylight domes

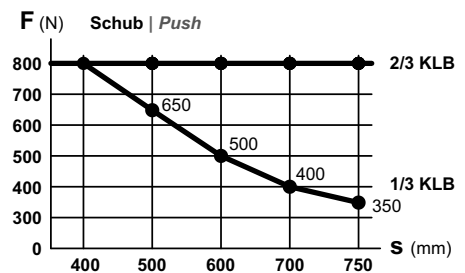
### Options

- Rear suspension (only to 500 mm stroke)
- Stroke reduction
- Protection rating IP65



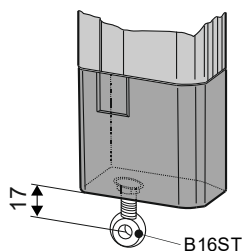
### TECHNICAL DATA

$U_N$	Rated voltage	24 V DC (19 V ... 28 V)
$I_N$	Rated current	0,8 A
$I_A$	Cut-off current	1,0 A
$P_N$	Rated power	20 W
<b>DC</b>	Duty cycle	5 cycles (ED 30 % - ON: 3 min./OFF: 7 min.)
	Protection rating	IP 54
	Ambient temperature range	-5 °C ... +60 °C
$F_Z$	Pulling force max.	800 N
$F_A$	Pushing force max.	



$F_H$	Pullout force	3000 N (fastening depended)
	Spindle tube	aluminium
	Connecting cable	non-halogen, grey SP8: 2 x 0,75 mm <sup>2</sup> , ~ 1 m SP8-Z: 4 x 0,75 mm <sup>2</sup> , ~ 1 m
$v$	Speed	7,0 mm/s  7,0 mm/s
<b>S</b>	Stroke	100 – 750 mm
<b>L</b>	Length	s + 190 mm see order data
	Sound pressure level	≤ 70 dB (A)

### OPTION



The rear suspension is fitted at the factory.  
Only up to 500 mm stroke possible!

ORDER DATA						
s [mm]	L [mm]	Version	Finish	PU/pcs.	Part.-No.	
100	290	SP8 100 S2 24V	E6/C-0	1	514110	
		SP8-Z 100 S2 24V		1	514310	
200	390	SP8 200 S2 24V	E6/C-0	1	514120	
		SP8-Z 200 S2 24V		1	514320	
300	490	SP8 300 S2 24V	E6/C-0	1	514130	
		SP8-Z 300 S2 24V		1	514330	
400	590	SP8 400 S2 24V	E6/C-0	1	514140	
		SP8-Z 400 S2 24V		1	514340	
500	690	SP8 500 S2 24V	E6/C-0	1	514150	
		SP8-Z 500 S2 24V		1	514350	
600	790	SP8 600 S2 24V	E6/C-0	1	514160	
		SP8-Z 600 S2 24V		1	514360	
750	940	SP8 750 S2 24V	E6/C-0	1	514175	
		SP8-Z 750 S2 24V		1	514375	

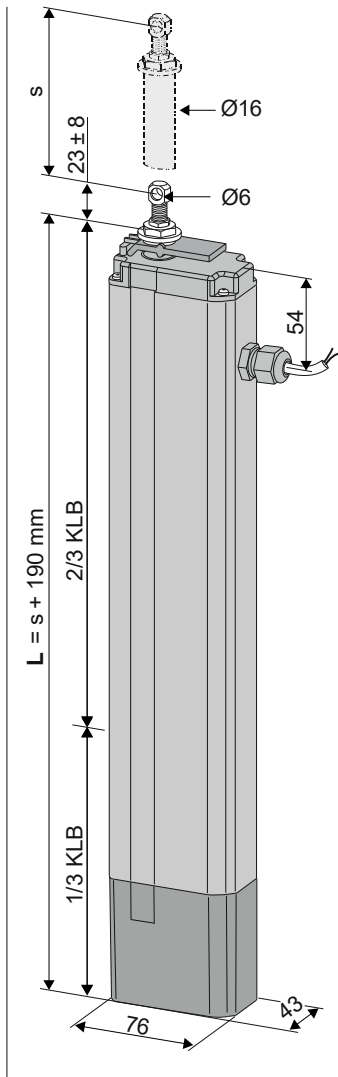
OPTIONS						
Special model				PU/pcs.	Part.-No.	
<b>Rear Suspension</b>						
Cape for rear suspension (only to 500 mm stroke) incl. eyebolt B165T M8 x 40 mm, bore Ø8 mm				1	512002	
<b>Protection rating IP65</b>						
Drive with additional gaskets for IP65					512005	
<b>Mechanical stroke reduction</b>						
Stroke reduction without construction length - mechanically					516000	
<b>Drive housing painted/powder coated in other RAL colours</b>						
<b>Lump sum for coating</b>					516030	
Specify at order stage:				1 – 20	516004	
				21 – 50	516004	
				51 – 100	516004	
				from 101	516004	
<b>Extra length connecting cable:</b>						
3 m – non-halogen, grey – 2 x 0,75 mm <sup>2</sup>					501023	
5 m – non-halogen, grey – 2 x 0,75 mm <sup>2</sup>					501024	
10 m – non-halogen, grey – 2 x 0,75 mm <sup>2</sup>					501026	
5 m – non-halogen, grey – 4 x 0,75 mm <sup>2</sup> („Z“-Version)					501044	
10 m – non-halogen, grey – 4 x 0,75 mm <sup>2</sup> („Z“-Version)					501046	



- Application: natural ventilation as single-drive
- Cut-off via limit switch
- Potential free NC contact for closed end position feedback (max. 24 V, 500 mA)
- Parallel connection up to 8 drives in one group
- Preferably application for skylight domes
- Minimum basic length of housing for stroke  $s = 300$  mm

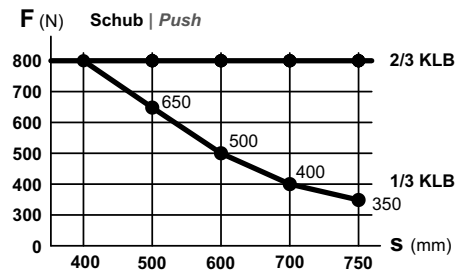
### Options

- Stroke reduction (for  $s < 300$  mm)
- Rear suspension (only to 500 mm stroke)
- Protection rating IP65



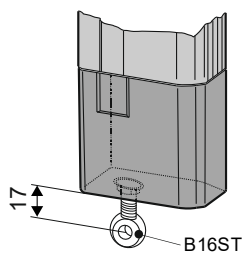
### TECHNICAL DATA

$U_N$	Rated voltage	230 V AC (50 Hz)
$I_N$	Rated current	0,12 A
$I_A$	Cut-off current	0,2 A
$P_N$	Rated power	5 W
DC	Duty cycle	5 cycles (ED 30 % - ON: 3 min./OFF: 7 min.)
	Protection rating	IP 54
	Ambient temperature range	-5 °C ... +60 °C
$F_Z$	Pulling force max.	800 N
$F_A$	Pushing force max.	



$F_H$	Pullout force	3000 N (fastening depended)
	Spindle tube	aluminium
	Connecting cable	non-halogen, grey – 6 x 0,75 mm <sup>2</sup> , ~ 1 m
$v$	Speed	$\leftarrow$ 7,0 mm/s $\rightarrow$ 7,0 mm/s
$s$	Stroke	300 – 750 mm
$L$	Length	$s + 190$ mm see order data
	Minimum length of housing	490 mm ( $s \geq 300$ mm)
	Sound pressure level	$\leq 70$ dB (A)

### OPTION



The rear suspension is fitted at the factory.  
Only up to 500 mm stroke possible!

ORDER DATA						
s [mm]	L [mm]	Version	Finish	PU/pcs.	Part.-No.	
300	490	SP8-Z 300 S2 230V	E6/C-0	1	496231	
400	590	SP8-Z 400 S2 230V	E6/C-0	1	496241	
500	690	SP8-Z 500 S2 230V	E6/C-0	1	496251	
600	790	SP8-Z 600 S2 230V	E6/C-0	1	496261	
750	940	SP8-Z 750 S2 230V	E6/C-0	1	496276	

OPTIONS			
Special model	PU/pcs.	Part.-No.	
<b>Rear Suspension</b>			
Cape for rear suspension (only to 500 mm stroke) incl. eyebolt B165T M8 x 40 mm, bore Ø8 mm	1	512002	
<b>Protection rating IP65</b>			
Drive with additional gaskets for IP65		512005	
<b>Mechanical stroke reduction</b>			
Stroke reduction without construction length - mechanically		516000	
<b>Drive housing painted/powder coated in other RAL colours</b>			
<b>Lump sum for coating</b>		516030	
Specify at order stage:	1 – 20	516004	
	21 – 50	516004	
	51 – 100	516004	
	from 101	516004	
<b>Extra length connecting cable:</b>			
3 m – non-halogen, grey – 6 x 0,75 mm <sup>2</sup>		501163	
5 m – non-halogen, grey – 6 x 0,75 mm <sup>2</sup>		501167	

OVERVIEW OF BRACKETS					1	2	3	4	5	6	
Typical applications											
Frame bracket					K7	K57, K57.2, K57.3	K59	K57, K57.2, K57.3, K59	K92	K82	
Mounting aid								K9			
Bracket accessories					B13	B10 inkl.				B13	
Casement bracket					F12	F1, F1V, F1.1, F10.6					
Special application					Sky light Essmann				Sky light Lamilux		
Space requirement			min.	[mm]	120	40	35	50	60	45	
Window material		Alu				●	●	●	●	●	
		Wood				●	●	●	●	●	
		PVC			●	●	●	●	●	●	
Type of window and mounting	Bottom hung	inward	HSK	FM				■		■	
				RM							
			NSK	FM							
			RM								
		outward	HSK	RM				●		●	
				PR		●	●		●		
	NSK		RM								
		PR									
	Top hung	inward	HSK	FM				■		■	
				RM							
			NSK	FM							
			RM								
		outward	HSK	RM				●		●	
				PR		●	●		●		
	NSK		RM								
		PR									
	Side hung	inward	HSK	FM				■		■	
				RM							
			NSK	FM							
				RM							
	Roof	outward	HSK	RM				●		●	
				PR		●	●		●		
			NSK	RM							
				PR		●	●		●		
Sky-light	outward	HSK	RM	●	●	●		●	●		
		NSK	RM								
FAB(*1)			Solo	[mm]	1200	450 – 1300					
FAH(*1)			Solo	[mm]	1200	450 – 1500					

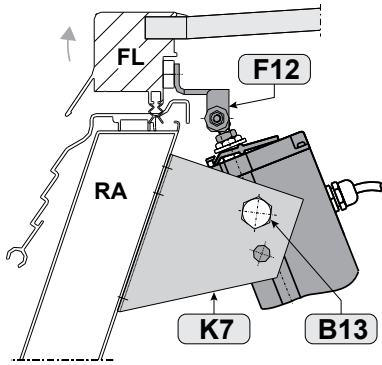
### LEGEND

- suitable
- not recommended

(\*1) Sample value of the casement dimensions. The actual casement dimensions depend on the stroke and the position of the drives to the hinges. The values of FAB/FAH are to be used analogue for side hung windows.

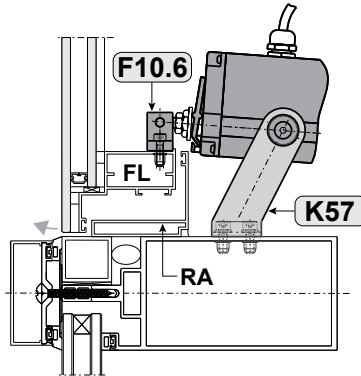
## TYPICAL APPLICATIONS

1 RM, HSK, sky light



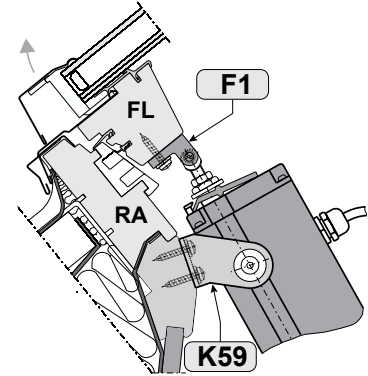
View on sky light Essmann

2 RM, HSK, top hung outward opening



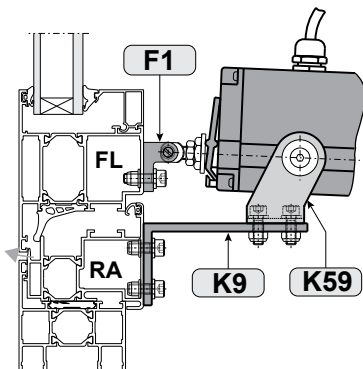
View on aluminium window

3 RM, HSK, roof



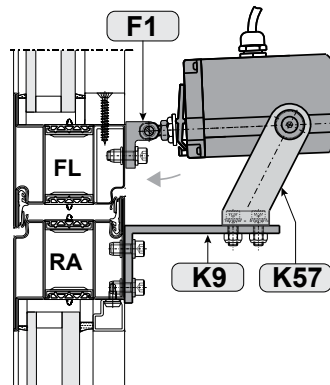
View on wooden window

4 RM, HSK, top hung outward opening



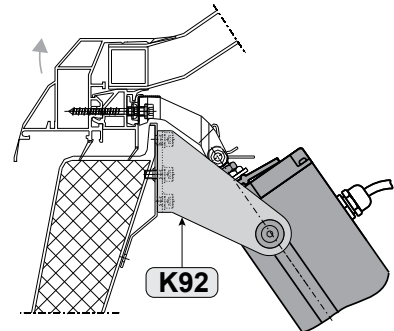
View on aluminium window

4 RM, HSK, top hung outward opening



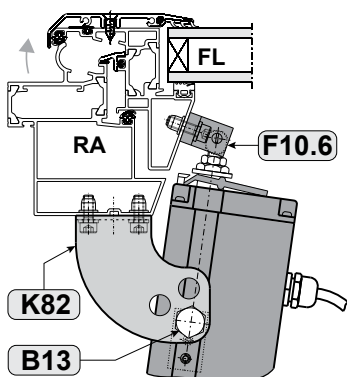
View on steel window

5 RM, HSK, sky light



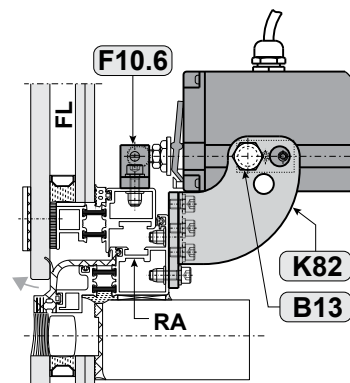
View on sky light Lamilux

6 RM, HSK, roof



View on aluminium window

6 RM, HSK, top hung outward opening



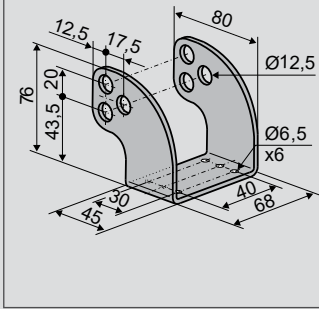
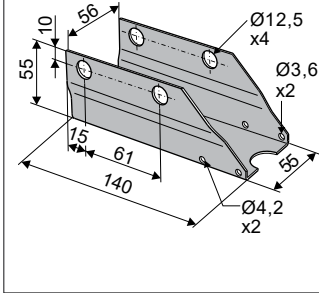
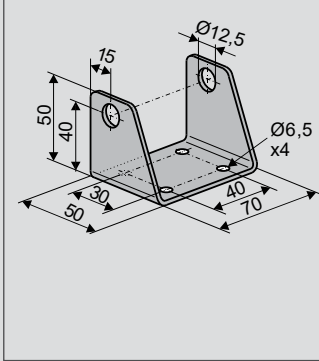
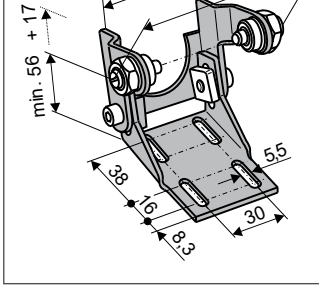
View on aluminium window



CASEMENT BRACKETS

<p><b>F1</b></p>		<p><b>Application</b>  <b>Surface mounting</b> on the <b>main closing edge</b> of casement profiles of outward opening windows or skylights, for drives with <b>front or rear suspension</b> with bore <b>Ø6 mm</b>, manual removal of the drive is possible</p>	<p><b>Part.-No. 150102</b>  <b>Material/Finish</b>          aluminium, diecast  <b>Feature/Equipment</b>          1x locking bolt          Ø6 mm  <b>Load</b>          max. 1000 N</p>	
<p><b>F1.1</b></p>		<p><b>Application</b>  <b>Surface mounting</b> on the <b>main closing edge</b> of casement profiles of outward opening windows or skylights, for drives with <b>front or rear suspension</b> with bore <b>Ø6 mm</b>, manual removal of the drive is possible</p>	<p><b>Part.-No. 150110</b>  <b>Material/Finish</b>          aluminium, diecast  <b>Feature/Equipment</b>          1x locking spring bolt          Ø6 mm  <b>Load</b>          max. 600 N</p>	
<p><b>F1V</b></p>		<p><b>Application</b>  <b>Surface mounting</b> on the <b>main closing edge</b> of casement profiles of outward opening windows or skylights, for drives with <b>front or rear suspension</b> with bore <b>Ø6 mm</b></p>	<p><b>Part.-No. 150101</b>  <b>Material/Finish</b>          aluminium  <b>Feature/Equipment</b>          1x grubscrew Ø6 mm  <b>Load</b>          max. 1600 N</p>	
<p><b>F10.6</b></p>		<p><b>Application</b>  <b>Surface mounting</b> on <b>main closing edge</b> of casement profiles of outward opening windows or skylights, for drives with <b>front or rear suspension</b> with bore <b>Ø6 mm</b>, threaded stud bolt</p>	<p><b>Part.-No. 151000</b>  <b>Material/Finish</b>          aluminium  <b>Feature/Equipment</b>          1x stud bolt Ø6 mm  <b>Load</b>          max. 1600 N</p>	

## FRAME BRACKETS

K82		<p><b>Application</b></p> <p>Surface mounting on the main closing edge of window frame profiles or on the mullion/transom of outward opening (roof-)windows, for swivelling suspension of drives</p> <p>PLA with B4, SP with B13, LKS with B7</p>	<p>Part.-No. 151320</p> <p>Material/Finish stainless steel</p> <p>Feature/Equipment drilled holes Ø12,5 mm</p>			
<b>Accessories</b>						
B13 clamp block SP (12 mm, G1/8) thick		Part.-No. 513901				
K4-L		<p><b>Application</b></p> <p>Surface mounting on the main closing edge of the upstand of skylight domes</p> <p>Eternit for swivelling suspension of drives</p> <p>PLA with B4, SP with B11,</p>	<p>Part.-No. 155610</p> <p>Material/Finish steel galvanized</p> <p>Feature/Equipment 2x screw Taptite M4x10, 1x nut M4, 1x screw M4x65</p>			
<b>Accessories</b>						
B11 clamp block SP (G1/8)		Part.-No. 515902				
K5		<p><b>Application</b></p> <p>Surface mounting on the main closing edge of window frame profiles or on the mullion/transom of outward opening (roof-)windows, for swivelling suspension of drives</p> <p>PLA with B4, SP8 with B13, LKS with B7</p>	<p>Part.-No. 155800</p> <p>Material/Finish steel galvanized</p> <p>Feature/Equipment drilled holes Ø12,5 mm</p>			
<b>Accessories</b>						
B13 clamp block SP (12 mm, G1/8)		Part.-No. 513901				
K21K Frame bracket		Part.-No. 159900				
K21L Frame bracket		Part.-No. 159905				
K17		<p><b>Application</b></p> <p>Surface mounting on the main closing edge of window frame profiles or on the mullion/transom of outward opening (roof-)windows, for swivelling suspension of drives</p> <p>PLA with B5, SP with B12</p>	<p>Part.-No. 159200</p> <p>Material/Finish steel galvanized</p> <p>Feature/Equipment adjustable height</p>			
<b>Accessories</b>						
B12 clamp block SP (7,0 mm thick, Ø8 mm)		Part.-No. 513903				

### FRAME BRACKETS

K57		<p><b>Application</b>  <b>Surface mounting</b> on the <b>main closing edge</b> of the window frame of outward opening roof windows or skylight domes for <b>swivelling suspension</b> of drives <b>SP</b>. Space in between clamp axis and fixing level <b>75 mm</b></p>	<p><b>Part.-No. 160930</b>  <b>Material/Finish</b>                      steel galvanized  <b>Feature/Equipment</b>                      2x B10 clamping bolts</p>			
<b>Accessories</b>						
K9 Frame bracket		<b>Part.-No. 158501</b>				
K57.2		<p><b>Application</b>  <b>Surface mounting</b> on the <b>main closing edge</b> of the window frame of outward opening roof windows or skylight domes for <b>swivelling suspension</b> of drives <b>SP</b>. Space in between clamp axis and fixing plane <b>70 mm</b></p>	<p><b>Part.-No. 160931</b>  <b>Material/Finish</b>                      steel galvanized  <b>Feature/Equipment</b>                      2x B10 clamping bolts</p>			
<b>Accessories</b>						
K9 Frame bracket		<b>Part.-No. 158501</b>				
K57.3		<p><b>Application</b>  <b>Surface mounting</b> on the <b>main closing edge</b> of the window frame of outward opening roof windows or skylight domes for <b>swivelling suspension</b> of drives <b>SP</b>. Space in between clamp axis and fixing plane <b>125 mm</b></p>	<p><b>Part.-No. 160935</b>  <b>Material/Finish</b>                      steel galvanized  <b>Feature/Equipment</b>                      2x B10 clamping bolts</p>			
K59		<p><b>Application</b>  <b>Surface mounting</b> on the <b>main closing edge</b> of the window frame of outward opening roof windows or skylight domes for <b>swivelling suspension</b> of drives <b>SP</b>. Space in between clamp axis and fixing plane <b>40 mm</b></p>	<p><b>Part.-No. 160934</b>  <b>Material/Finish</b>                      steel, powdercoated (RAL 9006-silver)  <b>Feature/Equipment</b>                      2x B10 clamping bolts</p>			
<b>Accessories</b>						
K9 Frame bracket		<b>Part.-No. 158501</b>				

## OPTIONAL ACCESSORIES

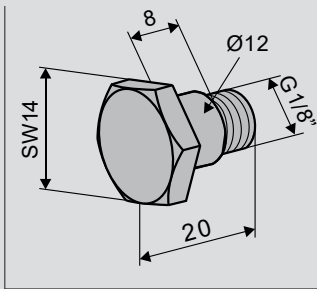
Window console				
<b>K9</b>		<b>Application</b> Shift the fastening level of the frame brackets <b>K57</b> , <b>K57.2</b> and <b>K59</b> from the horizontal to the vertical side of the <b>main closing edge</b> of window frames	<b>Part.-No.</b> 158501  <b>Material/Finish</b> aluminium	
Eyebolt				
<b>B16ST</b>		<b>Application</b> Eye bolt for <b>rear or front suspension</b> of spindle drives with <b>M8</b> thread in the rear base cap or in the spindle tube	<b>Part.-No.</b> 100044  <b>Material/Finish</b> steel galvanized <b>Feature/Equipment</b> M8x40 (Eye Ø8 mm), 1x nut M8, 1x Nordlock-safety-washer, 1x O-ring max. screw-in depth in the drive 25 mm	
<b>B16VA</b>			<b>Part.-No.</b> 100144  <b>Material/Finish</b> stainless steel (V2A)	
Clamp blocks				
<b>B11</b>		<b>Application</b> <b>Swivelling suspension</b> of drives <b>SP8</b> on frame brackets <b>K4-L</b> with collar screw <b>B8</b>	<b>Part.-No.</b> 513902  <b>Material/Finish</b> aluminium <b>Feature/Equipment</b> 7,0 mm thick, thread G1/8", incl. 2 collar screws B8, Ø12 mm	
<b>B12</b>		<b>Application</b> <b>Swivelling suspension</b> of drives <b>SP8</b> on frame brackets <b>K17</b>	<b>Part.-No.</b> 513903  <b>Material/Finish</b> aluminium <b>Feature/Equipment</b> 7,0 mm thick, bore Ø8,2 mm 2 pieces	
<b>B13</b>		<b>Application</b> <b>Swivelling suspension</b> of drives <b>SP8</b> on frame brackets <b>K5</b> , <b>K7</b> , <b>K82</b> with collar screw <b>B8</b>	<b>Part.-No.</b> 513901  <b>Material/Finish</b> aluminium <b>Feature/Equipment</b> 12,3 mm thick, thread G1/8", incl. 2 collar screws B8, Ø12 mm	

### SPECIFIC APPLICATIONS

SKY-LIGHT LAMILUX				
K92		<p><b>Application</b></p> <p>Surface mounting on the <b>main closing edge</b> of the upstand of skylight domes <b>Lamilux</b> for <b>swivelling suspension</b> of drives <b>SP</b>. For the front suspension the original casmet bracket of Lamilux is used</p>	<p><b>Part.-No. 160937</b></p> <p><b>Material/Finish</b> steel, powder coated (RAL 9010 white)</p> <p><b>Feature/Equipment</b> 2x B10 clamping bolts</p>	
SKY-LIGHT ESSMANN TYP 810				
F12		<p><b>Application</b></p> <p>Surface mounting on the <b>main closing edge</b> of the casement profiles of skylight domes <b>Essmann 810</b> for drives with <b>front suspension</b> with bore <b>Ø6 mm</b></p>	<p><b>Part.-No. 151500</b></p> <p><b>Material/Finish</b> steel galvanized</p> <p><b>Feature/Equipment</b> 1x screw M6, washer, nut</p> <p><b>Load</b> max. 800 N</p>	
K7		<p><b>Application</b></p> <p>Surface mounting on the <b>main closing edge</b> of the upstand of skylight domes <b>Essmann 810</b> for <b>swivelling suspension</b> of drives <b>PLA</b> with <b>B4</b>, <b>SP</b> with <b>B13</b>, <b>LKS</b> with <b>B7</b></p>	<p><b>Part.-No. 157500</b></p> <p><b>Material/Finish</b> steel galvanized</p> <p><b>Feature/Equipment</b> drilled holes Ø12,5 mm</p>	
	<b>Accessories</b>	<p><b>B13</b> clamp block SP (12 mm, G1/8)</p>	<p><b>Part.-No. 513901</b></p>	

## OPTIONAL ACCESSORIES

B8



## Application

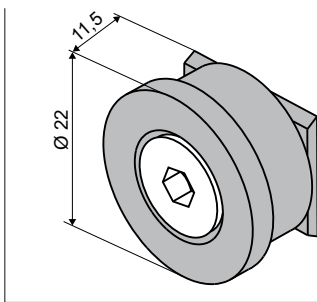
Swivelling suspension of the clamp rings  
**B4** for PLA  
**B7** for LKS  
 or of the clamping blocks  
**B11, B13** for SP  
 for U-shaped frame brackets  
 with bore **Ø12,5 mm**

Part.-No. 172800

## Material/Finish

stainless steel  
**Feature/Equipment**  
 collar Ø12 mm, G1/8"

B10



## Application

Swivelling suspension of drives  
**SP8** on frame brackets **K57,**  
**K57.2, K57.3, K59, K92**

Part.-No. 155010

## Material/Finish

cast steel, nickel plated  
**Feature/Equipment**  
 2 pieces (for drilled holes  
 Ø20 mm)

## CASEMENT BRACKETS AND FRAME BRACKETS

## Special accessories

Special model	PU/pcs.	Part.-No.			
<b>Casement brackets painted / powder coated in other RAL colours</b>					
<b>Lump sum for coating</b>		<b>516030</b>			
Specify at order stage:	1 – 20	<b>516032</b>			
	21 – 50	<b>516032</b>			
	51 – 100	<b>516032</b>			
	from 101	<b>516032</b>			
<b>Frame brackets painted / powder coated in other RAL colours</b>					
<b>Lump sum for coating</b>		<b>516030</b>			
Specify at order stage:	1 – 20	<b>516031</b>			
	21 – 50	<b>516031</b>			
	51 – 100	<b>516031</b>			
	from 101	<b>516031</b>			